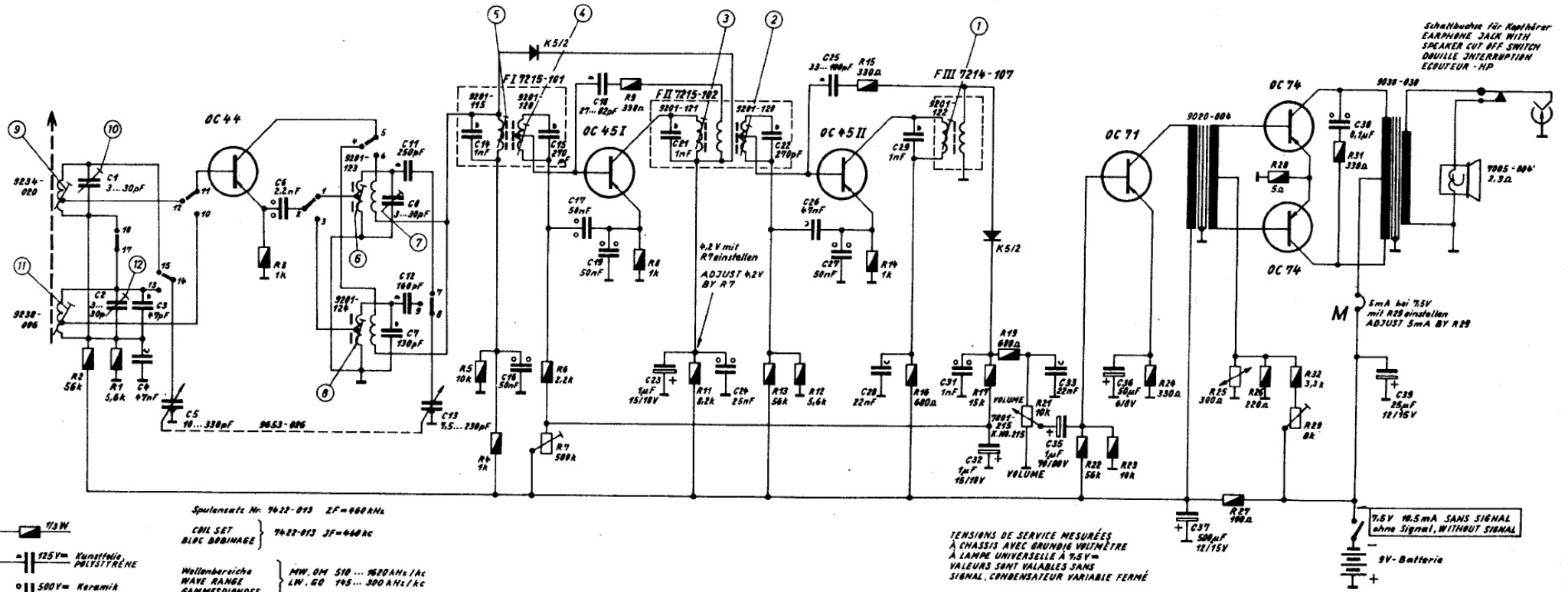


COLLECTOR (C) = rot, RED, ROUGE



- 1/3W
- 125V = Kunststoff, POLYSTYRÈNE
- 500V = Keramik CERAMICS CÉRAMIQUE
- 125V = POLYESTER

Spulensatz Nr. 7422-013 ZF=600kHz
 COIL SET BLOC BOBINAGE } 7422-013 ZF=600kc
 Wellenbereiche
 WAVE RANGE } MW, OM 510...1620kHz/1kc
 LW, GO 745...300kHz/1kc

TENSIONS DE SERVICE MESURÉES À CHASSIS AVEC QUADRUPLE VOLTMÈTRE À LAMPE UNIVERSELLE À 7.5V = VALEURS SONT VALABLES SANS SIGNAL, CONDENSATEUR VARIABLE FERMÉ

C:	2, 4, 5, 6, 7, 8, 9, 10, 11, 12, 13, 14, 15, 16, 17, 18, 19, 20, 21, 22, 23, 24, 25, 26, 27, 28, 29, 30, 31, 32, 33, 34, 35, 36, 37, 38, 39
R:	1, 2, 3, 4, 5, 6, 7, 8, 9, 10, 11, 12, 13, 14, 15, 16, 17, 18, 19, 20, 21, 22, 23, 24, 25, 26, 27, 28, 29, 30, 31